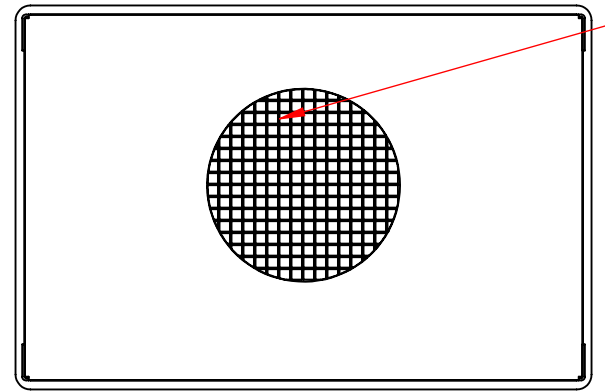
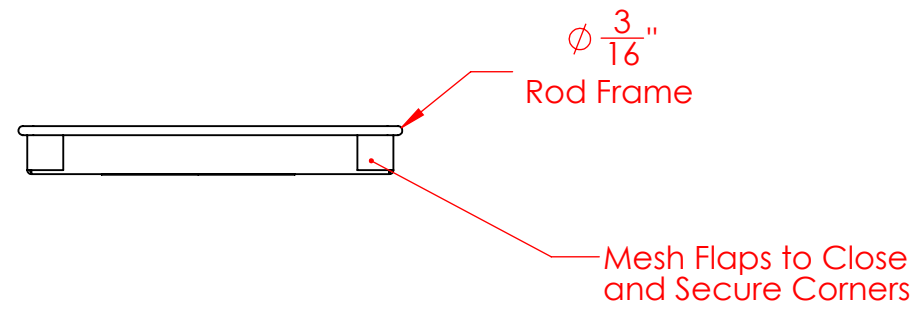
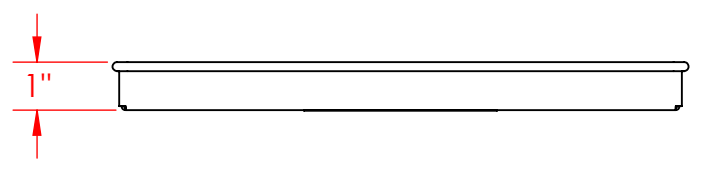
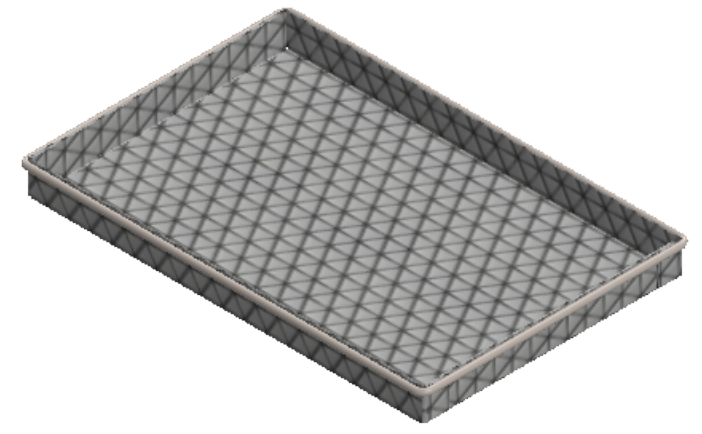
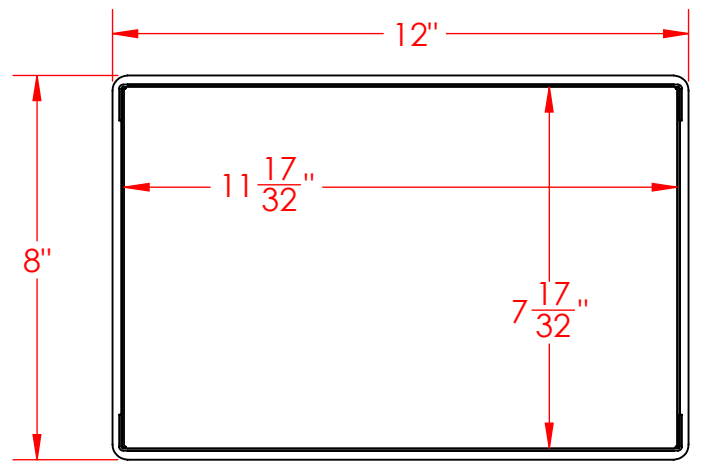


8 7 6 5 4 3 2 1

D
C
B
A

D
C
B
A



One Piece Mesh Body of
4 Mesh x .032" Welded Wire
(.218" Openings, 76% Open Area)

UNLESS OTHERWISE SPECIFIED:
DIMENSIONS ARE IN INCHES
TOLERANCES:
FRACTIONAL $\pm 1/16$ "
ANGULAR: ± 5 DEG.
TWO PLACE DECIMAL ± 0.03
THREE PLACE DECIMAL ± 0.015

EST WGT
0.5 lbs.
MATERIAL
304 Stainless Steel
FINISH
Natural

DO NOT SCALE DRAWING

Light Duty Mesh Basket:
12Lx8Wx1H, 304 SS, No Handles,
Mesh: 4 x .032

SIZE **B** DWG. NO.
FLB-120080010-N04S

SCALE: 1:4

SHEET 1 OF 1

PROPRIETARY AND CONFIDENTIAL
THE INFORMATION CONTAINED IN THIS DRAWING IS THE SOLE PROPERTY OF THREE M TOOL. ANY REPRODUCTION IN PART OR AS A WHOLE WITHOUT THE WRITTEN PERMISSION OF THREE M TOOL IS PROHIBITED.

8 7 6 5 4 3 2 1